

## High precision AC Servo Traversing Robot



**BRB600/700 Series** is applicable to all types of horizontal injection machine ranges of 60~200T for take-out products and sprues. Vertical arm is single type, with product arm and runner arm two types, suitable for two plate or three plate mold products take out. Traverse axis driven by AC servo motor. After installed this robot, the productivity will be increased 10~30%, reduce defective rate, ensure safety operators, reduce manpower and accurately control the output to reduce waste.



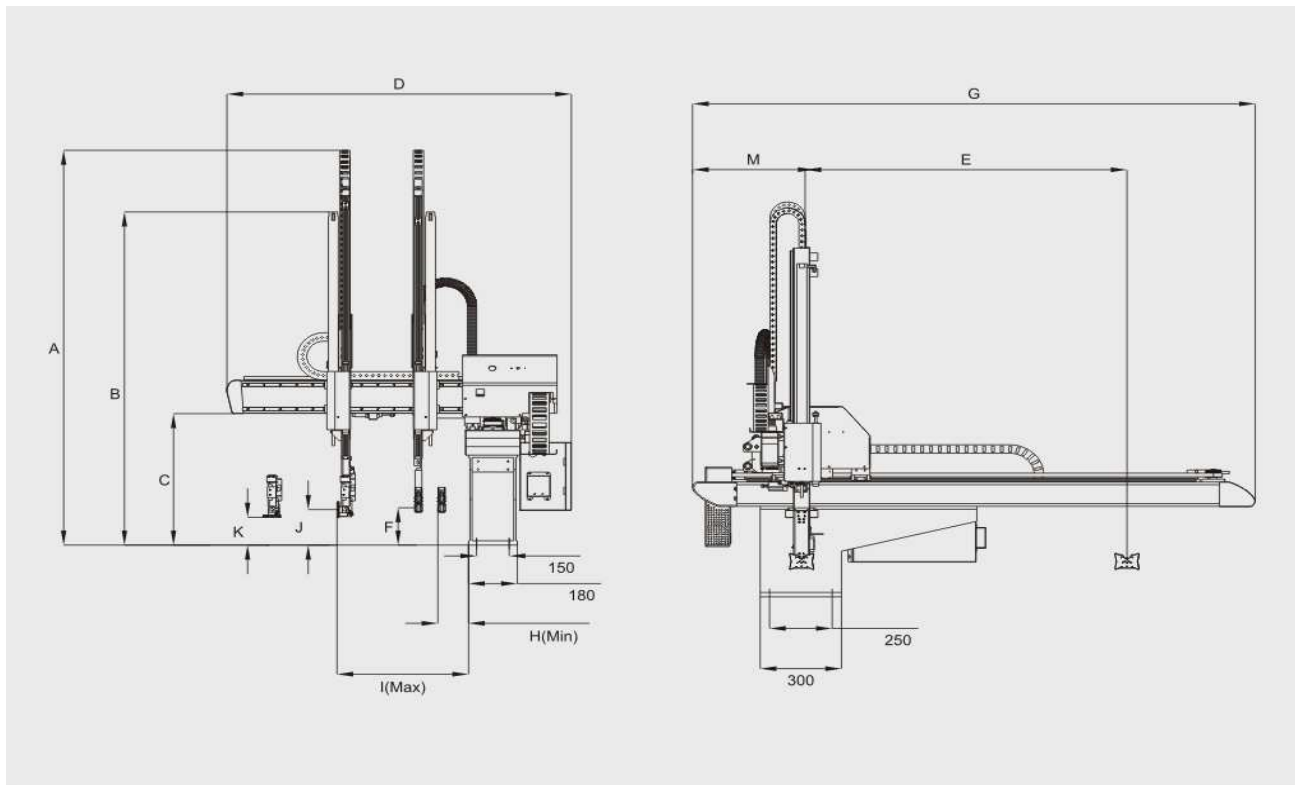
### CONTROLLER

- > Palm controller with dialogue type operation interface, the display language is changeable, easy for learn.
- > Eight sets built-in programs, with L/U take out function.
- > Applicable to all types of products take out.

### Specifications

Model	Power Source (KVA)	Recommended I.M.M (ton)	Traverse Stroke (mm)	Traverse Driven	Crosswise Stroke (mm)	Vertical Stroke (mm)	Max. Loadinf (kg)	Dry Take Out Time (sec)	Dry Cycle Time (sec)	Air Consumption (NI/cycle)	Net Weight (kg)
BRB600 IDY/ISY	0,6	60T-120T	1000	AC Servo motor	P:300	600	5	1,8	8,5	25	176,0
BRB700 IDY/ISY		100T-200T	1200		R:125	700					195

### Outer Dimensions



Model	A	B	C	D	E	F	G	H	I	J	K	M
BRB600IDY	1540	1270	545	1160	1000	170	1910	105	650	150	120	385
BRB700IDY	1610	1380	545	1280	1200	170	2090	105	770	150	120	385