

## High precision Two-axis AC Servo Traversing Robot-Single Stage



**BRB800** Series is applicable to all types of horizontal injection machine ranges of 100~250T for take-out products and sprues. Vertical arm is single stage, suitable for two plate mold products take out. Traverse axis and vertical axis driven by AC servo motor. After installed this robot, the productivity will be increased 10~30%, reduce defective rate, ensure safety of operators, reduce manpower and accurately control the output to reduce waste.



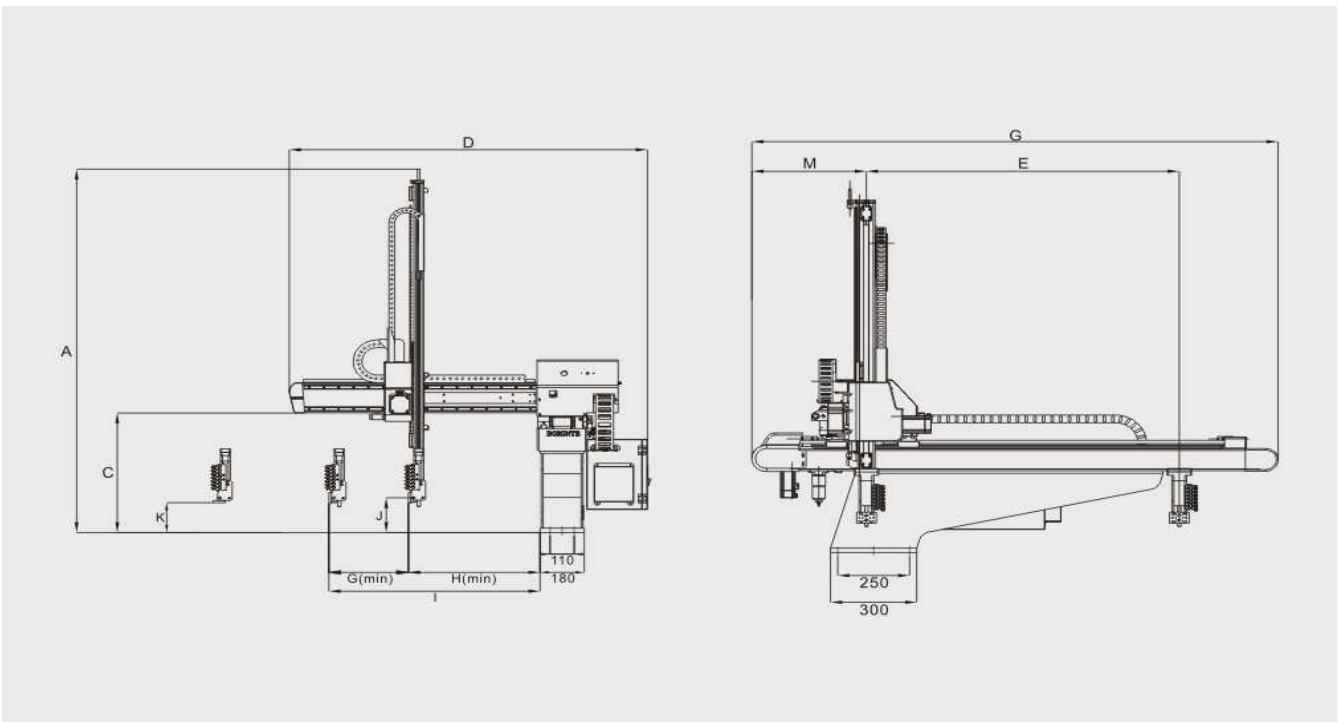
### CONTROLLER

- > Palm controller with dialogue type operation interface, the display language is changeable, easy for learn
- > Eight sets built-in programs, with L/U take out function
- > Applicable to all types of products take out.
- > Traverse stroke can be used to place products in multiple points (99 points at most) to stracking products.

### Specifications

Model	Power Source (KVA)	Recommended I.M.M (ton)	Traverse Stroke (mm)	Traverse Driven	Crosswise Stroke (mm)	Vertical Stroke (mm)	Max. Loadinf (kg)	Dry Take Out Time (sec)	Dry Cycle Time (sec)	Air Consumption (NI/cycle)	Net Weight (kg)
BRB800IS-S2	1	100T-250T	1200	AC Servo motor	300	800	5	0,8	7	8	150
BRG800IS-S2	1,7								4,5		

### Outer Dimensions



Model	A	B	C	D	E	F	G	H	I	J	K	M
BRB800IS-S2	1620	—	540	1340	1200	—	2100	235	750	140	110	420
BRG800IS-S2	1620	—	540	1340	1200	—	2140	235	750	140	110	420