

Three-axis/Five-axis AC Servo Traversing Robot-Telescopic Type



BRR Series is applicable to all types of horizontal injection machine ranges of 100~650T for take-out products and sprues. Vertical arm is telescopic stage. Full AC servo motor driven on each axis. Products take-out at super high-speed (0.8sec.) and dry cycle time within 5 seconds, applicable to take-out products with short forming cycle or complex automatic. Also with the function of mold labeling and mold inserting.



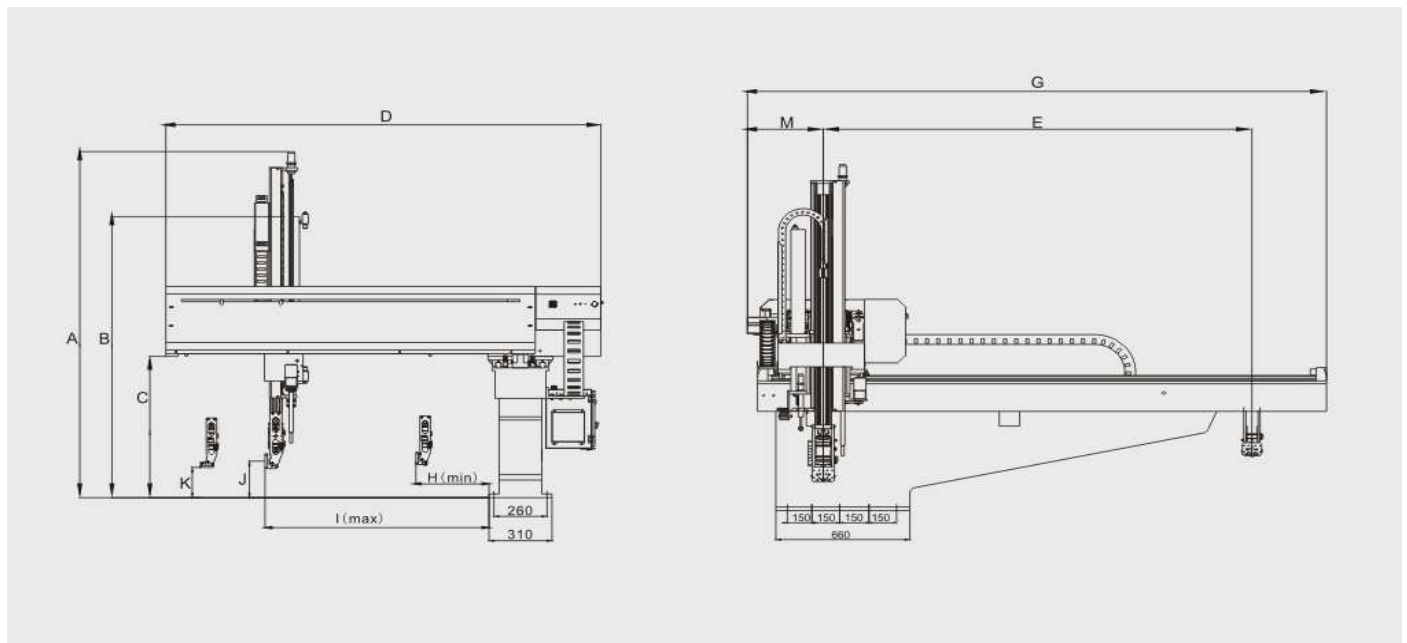
CONTROLLER S3, S5

- > 8 inch color touch screen
- > Micro-computer control system, strong ability of anti-interference, stable production and fast counting
- > Each axis with the function of acceleration and deceleration
- > Moulding memorizing function, it can be set fast while exchanging the mould, convenient for production and increase efficiency

Specifications

Model	Power Source (KVA)	Recommended I.M.M (ton)	Traverse Stroke (mm)	Traverse Driven	Crosswise Stroke (mm)	Vertical Stroke (mm)	Max. Loadinf (kg)	Dry Take Out Time (sec)	Dry Cycle Time (sec)	Air Consumption (NI/cycle)	Net Weight (kg)
BRR800WD-S5/S3	3,2/1,7	100T-250T	1400	AC Servo motor	550	800	5	0,8	5	4	200
BRR1000WD-S5/S3		250T-450T	1500		720	1000	8	1	6	4	240
BRR1200WD-S5/S3		450T-650T	1800		950	1200	10	1	7	5	280

Outer Dimensions



Model	A	B	C	D	E	F	G	H	I	J	K	M
BRC1400WSA-S2	1850	1500	775	2160	2200	/	3200	250	1400	200	160	370
BRC1800WSA-S2	2050	1700		2280	2550	/	3700	250	1520	200	160	450
BRC2200WSA-S2	2230	1900		2460	3000		4000	250	1700	200	160	500