

PA conveyor for Robot

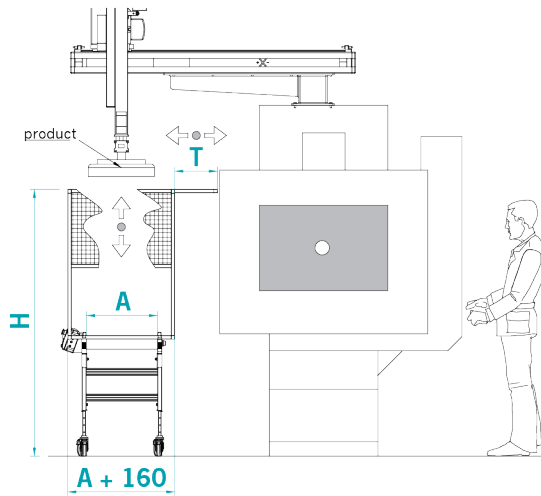
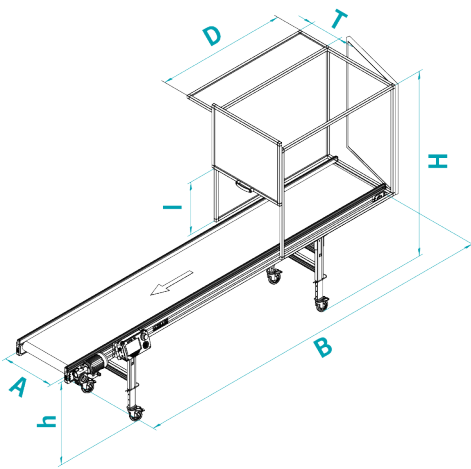
TECHNICAL DATA SHEET

DRIVE UNIT

- Position: pendular on the LH side
- Gear motor power: 0.12 kW
- Conveyor speed: 3 m/min fixed
- Control: Siemens Start and Stop switch/motor cut-out
- Connection Voltage: 400 Volts/50 Hz
- Connection plug: 4P (3 phases+ground)

BELT

- Smooth green PU covering (ref. Pantone 320)
- Vulcanised belt joint
- Temperature resistance: -10°C to +90°C



A (mm)	
B (mm)	
D (mm)	
H (mm)	
h (mm)	
l (mm)	<input type="checkbox"/> fixed h= _____ <input type="checkbox"/> adjustable h min= _____ h max= _____
T (mm)	
Capacity (Kg)	
Material to be conveyed	
Specify presence of lubricant, coolant or other fluid, if present.	

OPTIONAL

DRIVE UNIT

- Mounted on opposite side: RH side
- Fitted under conveyor belt
- Drum motor (gear motor inside roller)

MB TOP CONTROL 400 Volt/3/50 Hz

- Mod. NEW TOP CONTROL complete with programs and with three-phase Inverter

STANDARD FUNCTIONS

- Adjustable speed from _____ to _____ mt/min.
- Pause/Work for step-by-step advancement
- Robot/Pulse for timed advancement by external command

TYPE OF SUPPORT

- Vibration-damping feet
- Vibration-damping feet + wheels

SIDE PANELS

- STANDARD side panels h=80 mm
- WITHOUT side panels
- Side panels h=40 mm
- Adjustable side panels: RH side LH side
 working width min= _____ mm max= _____ mm
 (check compatibility with protection standard width)

GUARD

- Methacrylate
- Galvanised mesh
- Polycarbonate
- Roof: RH (as in the drawing) LH
- Rear door: can be opened fixed

NOTES