



Separate-vacuum Hopper Loader

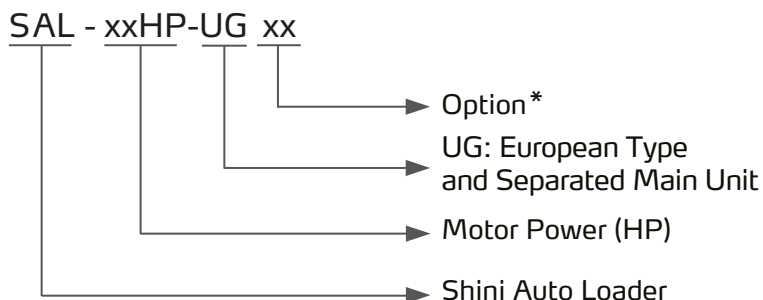
SAL-5HP-UG & SHR-24U



Refer carefully to this manual before operation.

SAL-UG/UGP Series

■ Coding Principle



Notes: *

D=Double-stage Blower P=Powder Loader

A = Add Air Accumulator CE= CE Conformity



SAL-1HP-UG & SHR-6U-E

■ Features

Standard configuration

- Data backed up on EPROM in case of power failure and does not require back up battery.
- It consists of a cyclone dust separator and a dust collective bin to effectively reduce the load of filter.
- Function for setting regrind mix ratio via optional SPV-U.
- Standard equipped with alarm lamp.
- Based on customer's requirements, there are two types of filters: bag and plate, for 30% and 100% powder conveying respectively. The air accumulator and self-cleaning device are standard equipments for hopper.

Accessory options

- In the case of much impurity or recycled materials included in raw materials, main unit can be equipped with air accumulator auto washing unit as options, and add "A" at the end of model code. (Suitable for SAL-3.5HP-UG and models above)
- Optionally provide multi-functional installation frame HMB-900 with 900 mm largest dia. adjusting range for selection.
- Provide both standard and optional heat-insulated Euro collective hopper SCH-6U/12U/24U for selection (Except for SAL-UGP series, which will use special collective hopper).
- Cyclone dust separator is available for SAL-1HP/2HP-UG.
- Buzzer available as an option.
- Quick mixing valve can be opted to work with proportional valve to enhance mixing effect.



SHR-P-60U +Storage Collective Hopper (Optional)

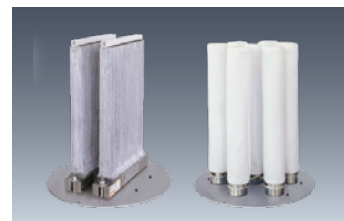
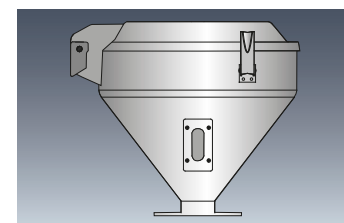
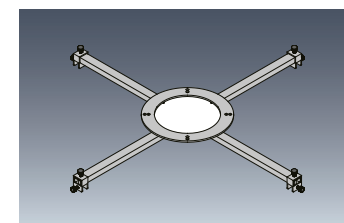


Plate Filter and Bag Filter



SCH-12U (Optional)



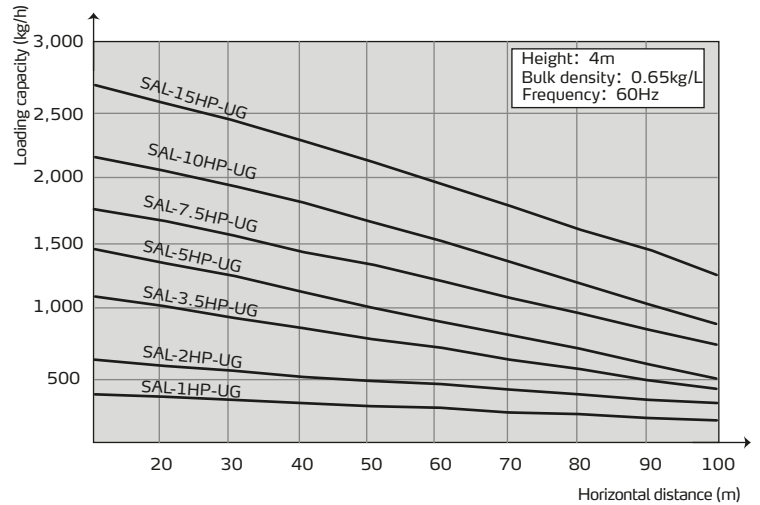
HMB-900 (Optional)

Application

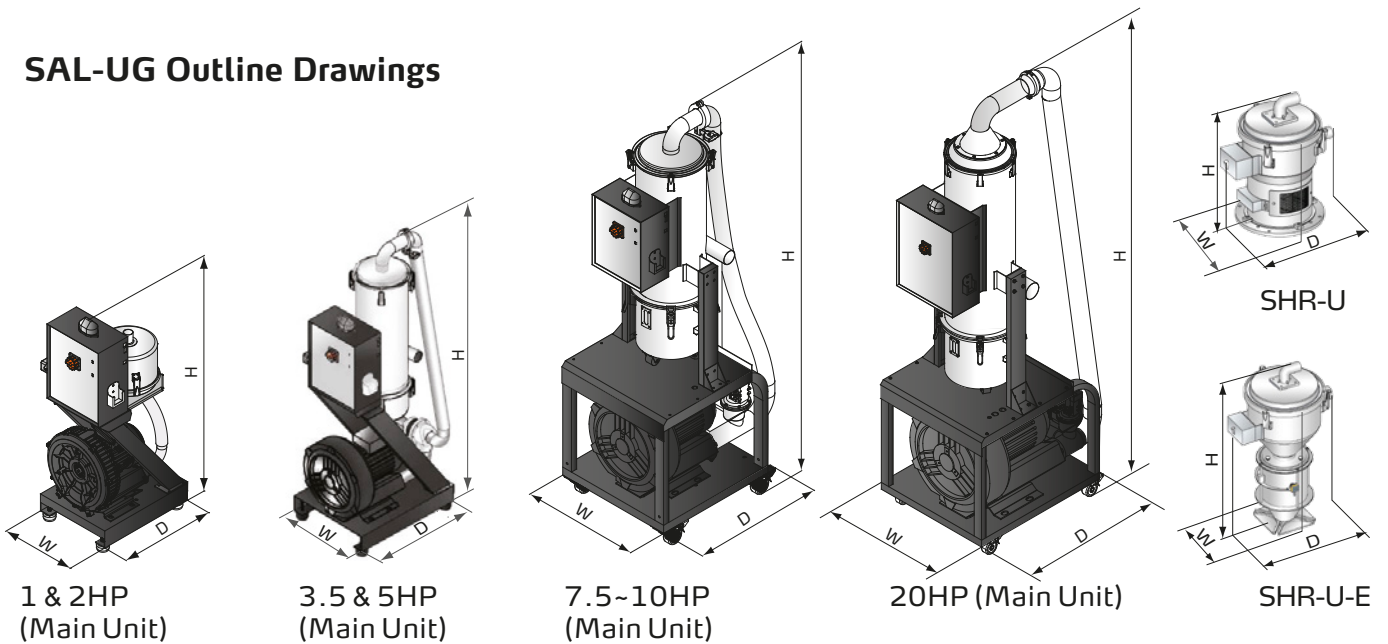
SAL-UG series separate-vacuum hopper loaders are based on the established design and now feature more attractive appearance, better performance, and improved ease of operation. The whole range comprises of seven models equipped with vacuum blower from 1 to 15 HP. Economy models can be offered on request.

SAL-UGP series separate-vacuum hopper loaders have all features that come with SAL-UG series product. There is also double-stage blower available as an option. Different model of hopper is available for each individual output capacity needs, especially suitable for 30% and 100% powder loading

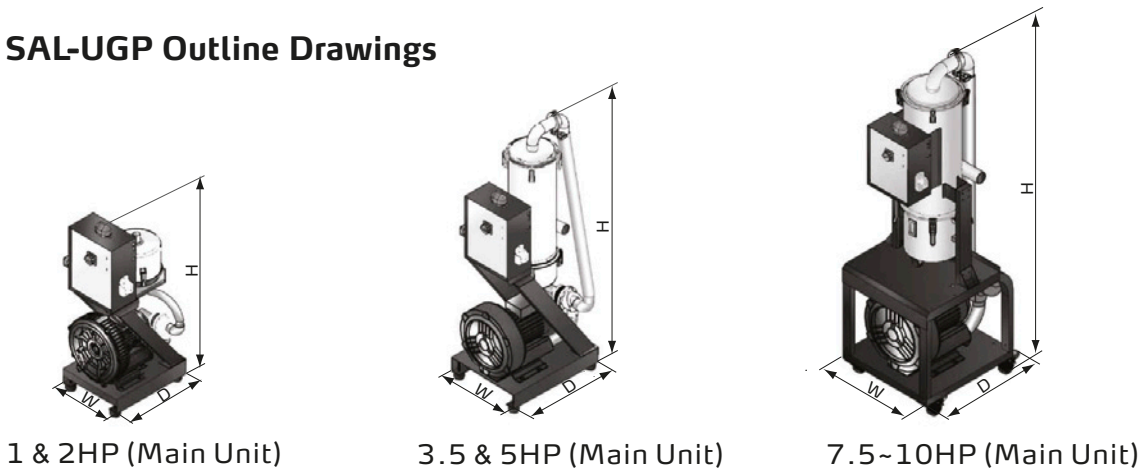
SAL-UG Loading Capacity



SAL-UG Outline Drawings

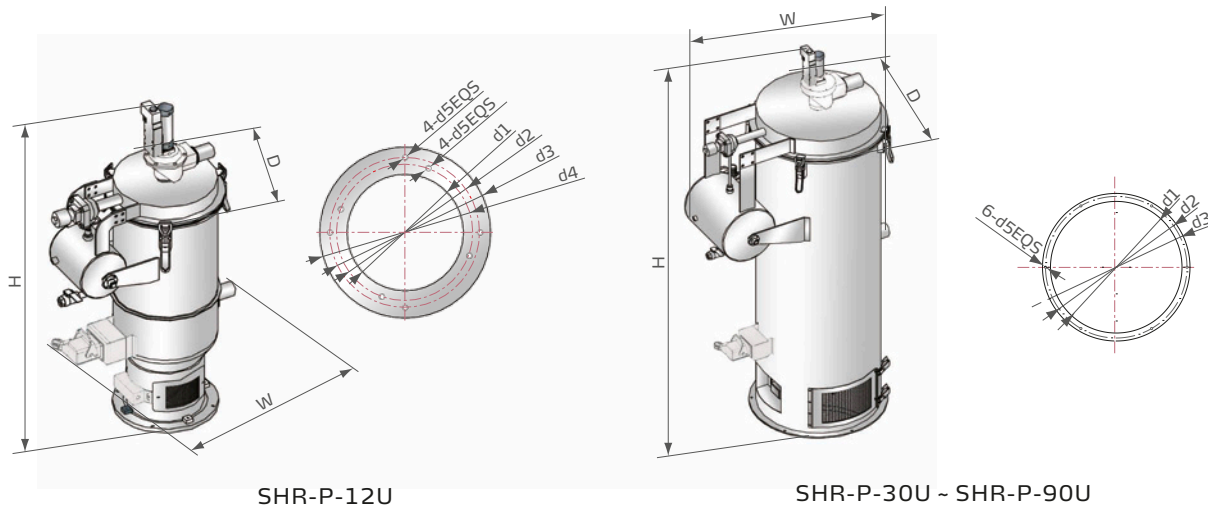


SAL-UGP Outline Drawings



SAL-UG/UGP Series

SAL-UGP Outline Drawings



SHR-P-12U

SHR-P-30U ~ SHR-P-90U

SAL-UG Specifications

Main Unit					Hopper Receiver				Conveying Pipe Dia. (inch)	Air Suction Pipe Dia. (inch)	Conveying Capacity (kg/hr)
Model	Motor Power(kW) (50/60Hz)	Specifi- cation	Dimension (mm) H × W × D	Weight (kg)	Applied to	Hopper Capacity (L)	Dimension (mm) H × W × D	Weight (kg)			
SAL-1HP-UG	0.75/ 0.85	3φ	1000×400×500	50	SHR-6U×1	6	420×285×360	6	1.5	1.5	300
					SHR-6U-E×1		600×275×360	8			
SAL-2HP-UG	1.5/ 1.8	3φ	1000×400×500	54	SHR-12U×1	12	470×315×400	7	1.5	1.5	500
					SHR-12U-E×1		700×315×400	12			
SAL-3.5HP-UG	2.4/ 2.6	3φ	1380×490×590	73	SHR-24U×1	24	690×315×400	9	2	2	750
					SHR-24U-E×1		1120×360×400	13			
SAL-5HP-UG	3.75/ 4.2	3φ	1380×490×590	74	SHR-24U×1	24	690×315×400	9	2	2	1000
SAL-5HP-UG-D			1380×690×590	76	SHR-24U-E×1		1120×360×400	13			
SAL-7.5HP-UG	5.5/ 6.3	3φ	1850×580×790	156	SHR-36U×1	36	930×315×400	11	2	2.5	1200
SAL-7.5HP-UG-D			1850×750×880	158							
SAL-10HP-UG	7.5/ 8.6	3φ	1850×580×790	160	SHR-36U×1	36	930×315×400	11	2	2.5	1600
SAL-10HP-UG-D			1850×750×890	162							
SAL-20HP-UG-D	13/ 18.7	3φ	2270×745×1027	236	SHR-48U×1	48	975×350×485	15	2.5	3	2000

We reserve the right to change specifications without prior notice.

- Notes: 1) "G" stands for separate design of main unit and hopper receiver (s).
 2) "SHR-U-E" stands for photosensor hopper receiver, "SHR-U" refers to vacuum hopper receiver.
 3) For hopper inside polished ones, add "P" at the end of model code.
 4) It is available to select ACF-1 cyclone dust separator (Applicable to SAL-1HP-UG or SAL-2HP-UG main unit).
 5) Main unit can be equipped with air accumulator auto washing unit as options, and add "A" at the the end of model end. (Suitable for SAL-3.5HP-UG and models above)
 6) Vacuum breaking diaphragm valve is standard for SAL-3.5HP-UG and models above to protect motor..
 7) Test condition of conveying capacity: Plastic material of bulk density 0.65kg/L, dia. 3~5 mm, vertical conveying height: 4m, horizontal conveying distance: 5m.
 8) Power supply: 3φ, 230/400/460/575V, 50/60Hz



■ **SAL-UGP Specifications (With bag filter, this series is suitable for conveying materials containing 30% powder.)**

Main Unit			Hopper Receiver						Filter Cloth Quantity	Dimension (mm)	
Model	Motor Power (kW, 50/60Hz)	Specification	Applied to	Conveying Pipe Dia. (inch)	Air Suction Pipe Dia. (inch)	Hopper Capacity (L)	Hopper Dia. (mm)	Conveying Capacity (kg/hr)		(Main Unit) H×W×D	(Receiver) H×W×D
SAL-1HP-UGP	0.75/0.85	3Φ	SHR-P-12U	1.5	1.5	12	Φ 270	300	3	1000×400×500	940×535×380
SAL-2HP-UGP	1.5/1.8	3Φ	SHR-P-30U			30	Φ 380	400			7
SAL-3.5HP-UGP	2.4/2.6	3Φ	SHR-P-60U	2	2	60	Φ 440	800	10	1380×490×590	1500×780×500
SAL-5HP-UGP	3.75/4.2	3Φ						1200			
SAL-5HP-UGP-D								1380×690×590			
SAL-7.5HP-UGP	5.5/6.3	3Φ	SHR-P-90U	2.5	2.5	90	Φ 550	1500	19	1830×585×675	1640×890×635
SAL-7.5HP-UGP-D								1830×740×675			
SAL-10HP-UGP	7.5/8.6	3Φ	SHR-P-90U	2.5	2.5	90	Φ 550	2000	19	1830×585×675	1640×890×635
SAL-10HP-UGP-D										1830×740×675	

We reserve the right to change specifications without prior notice.

SAL-UGP Specifications (With plate filter, this series is suitable for conveying materials containing 100% powder.)

Main Unit			Hopper Receiver						Filter Cloth Quantity	Dimension (mm)	
Model	Motor Power (kW, 50/60Hz)	Specification	Applied to	Conveying Pipe Dia. (inch)	Air Suction Pipe Dia. (inch)	Hopper Capacity (L)	Hopper Dia. (mm)	Conveying Capacity (kg/hr)		(Main Unit) H×W×D	(Receiver) H×W×D
SAL-1HP-UGP	0.75/0.85	3Φ	SHR-P-30U-1	1.5	1.5	12	Φ270	300	1	1000×400×500	1325×730×470
SAL-2HP-UGP	1.5/1.8	3Φ	SHR-P-30U-2			30	Φ380	400			
SAL-3.5HP-UGP	2.4/2.6	3Φ	SHR-P-60U-3	2	2	60	Φ440	800	3	1380×490×590	1500×780×500
SAL-5HP-UGP	3.75/4.2	3Φ						1200			
SAL-5HP-UGP-D								1380×690×590			
SAL-7.5HP-UGP	5.5/6.3	3Φ	SHR-P-90U-5	2.5	2.5	90	Φ550	1500	5	1830×585×675	1640×890×635
SAL-7.5HP-UGP-D								1830×740×675			
SAL-10HP-UGP	7.5/8.6	3Φ	SHR-P-90U-5	2.5	2.5	90	Φ550	2000	5	1830×585×675	1640×890×635
SAL-10HP-UGP-D										1830×740×675	

We reserve the right to change specifications without prior notice.

- Notes: 1) "P" stands for powder loader, "D" stands for double stage blower.
 2) All SAL-UGP series has vacuum breaking valve to protect the blower.
 3) PU heat-resistant material pipe is optionally available.
 4) Test condition of conveying capacity: Use dried powder plastic material without any viscosity and its bulk density is 0.6kg/L, vertical conveying height: 4m, horizontal conveying distance: 5m.
 5) Collective hopper can be optionally selected if needed.
 6) Power supply: 3Φ, 230/400/460/575V, 50/60Hz.

SAL-UGP Dimension

Model	d1(mm)	d2(mm)	d3(mm)	d4(mm)	d5(mm)
SHR-P-12U	Φ197	Φ254.5	Φ275	Φ231.5	Φ9
SHR-P-30U	Φ377	Φ413	Φ430	-	Φ7
SHR-P-30U-1	Φ377	Φ413	Φ430	-	Φ7
SHR-P-30U-2	Φ377	Φ413	Φ430	-	Φ7
SHR-P-60U	Φ437	Φ470	Φ490	-	Φ7
SHR-P-60U-3	Φ437	Φ470	Φ490	-	Φ7
SHR-P-90U	Φ547	Φ583	Φ600	-	Φ7
SHR-P-90U-5	Φ547	Φ583	Φ600	-	Φ7

We reserve the right to change specifications without prior notice.